

Symphony Classroom™ Remote Control Unit

Quick Start Guide

Your remote

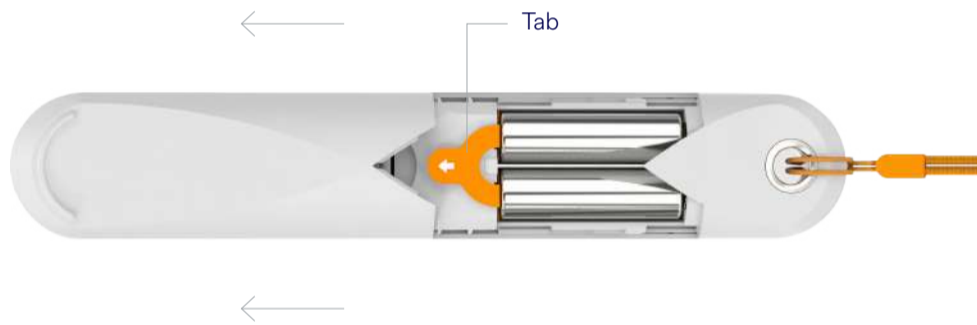


*Download and log into the **Merlyn Mind Desktop App** on the teacher's device to use the Air Mouse.

The desktop app is not currently compatible with Chromebooks.

Set up

Before using the remote control, remove the tab inside the battery compartment to activate.



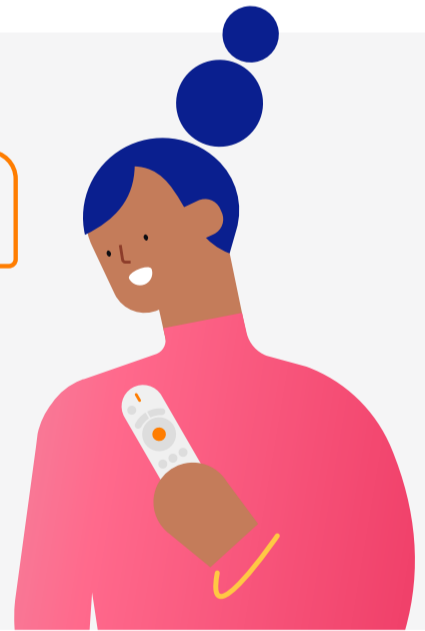
Pairing the remote control

To pair the remote control to your device, say **"Hey Merlyn, pair my remote"** and follow the on-screen instructions.

**Hey Merlyn,
pair my remote**

Lost your remote?

Just say, **"Hey Merlyn, Where is my remote?"** and Merlyn will play a sound to help you find it.



Using your remote control

Push-to-talk

While pressing the Push-to-talk button, you can say...

- “Play the video”
- “Fast forward two minutes and twelve seconds”
- “Mute”
- “Pause the video”
- “Go to full screen”

Air mouse

Use your air mouse to navigate throughout your desktop just as you would use a mouse at your desk.

Buttons

Use the buttons on your remote to control media.



Limited Warranty Statement

Your Product Accessory is covered by a Merlyn Mind, Inc. One-Year Standard Limited Warranty, the terms of which can be viewed at merlyn.org/support.